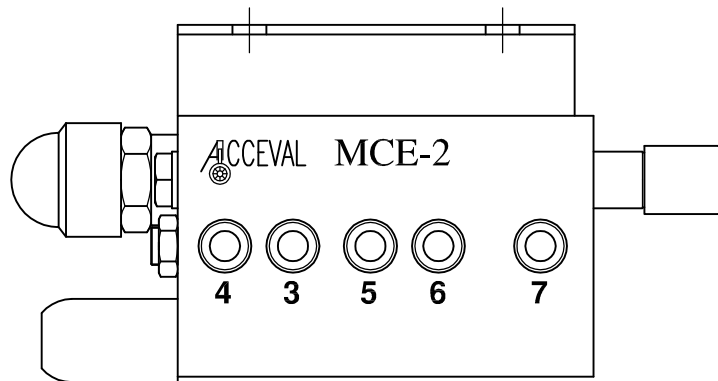


Acceval MCE-2



Lift Axle Control Valve
With Automatic Drop Function

Independent of EBS System

For Suspensions with
Double Circuit

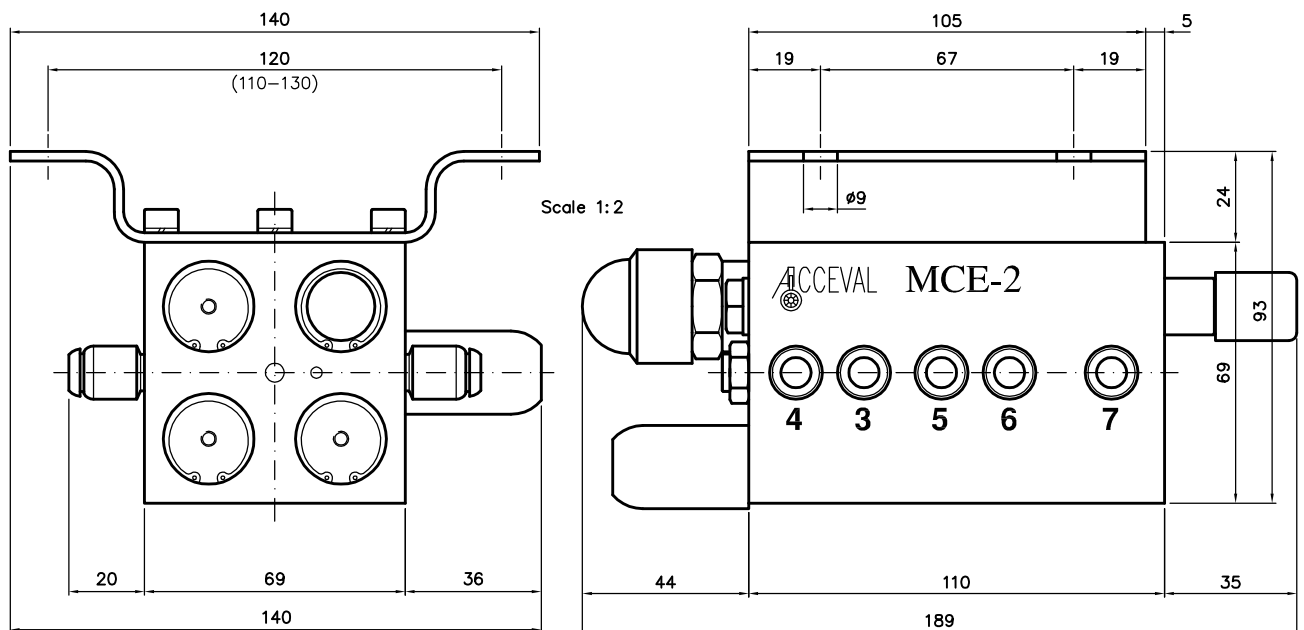
Full Automatic

ACCEVAL MCE-2

FULL AUTOMATIC LIFT AXLE CONTROL VALVE

(Automatic Drop and Lifting)

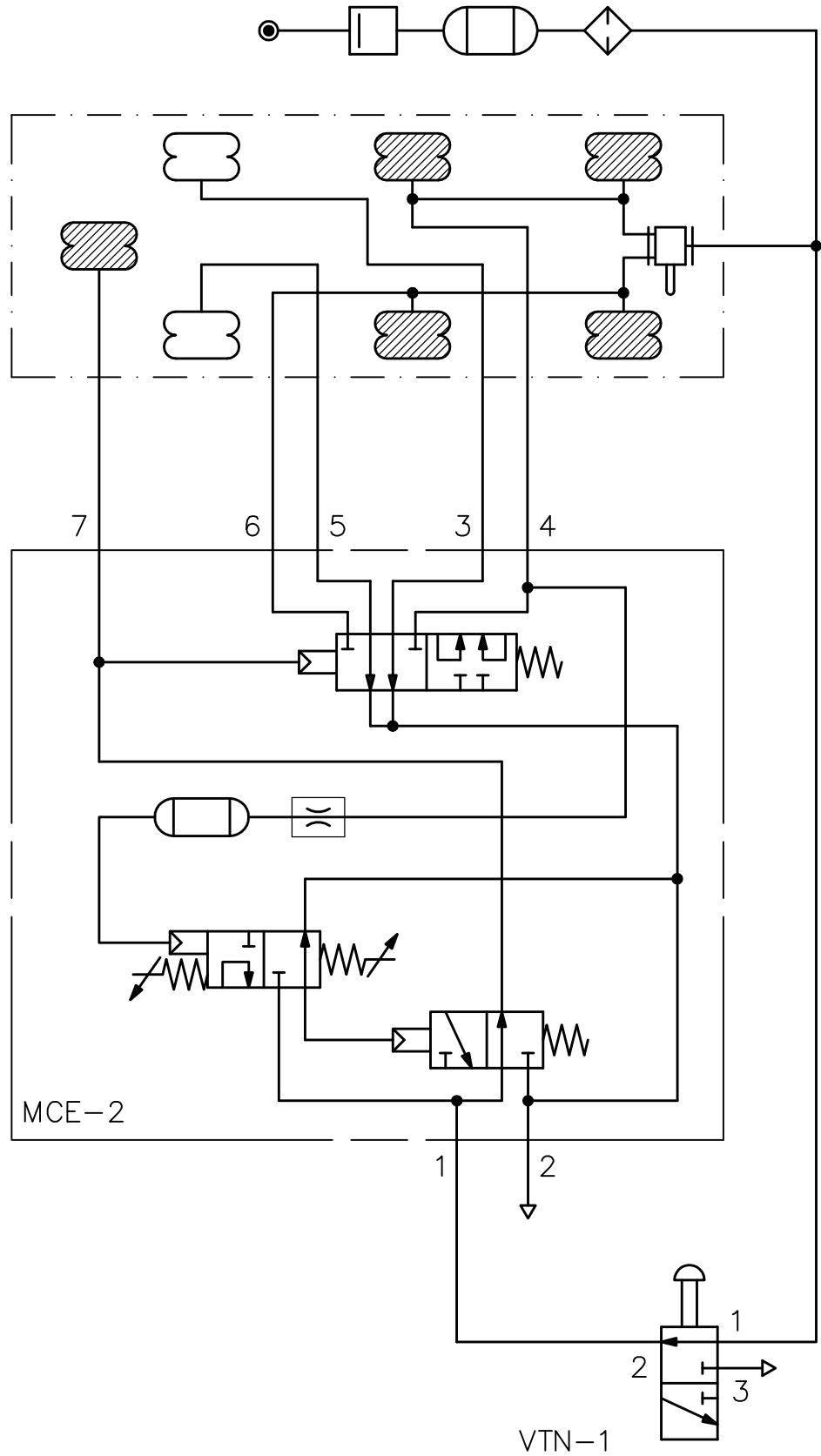
TÜV 
 Nr. 390-0582-96 FBK/B



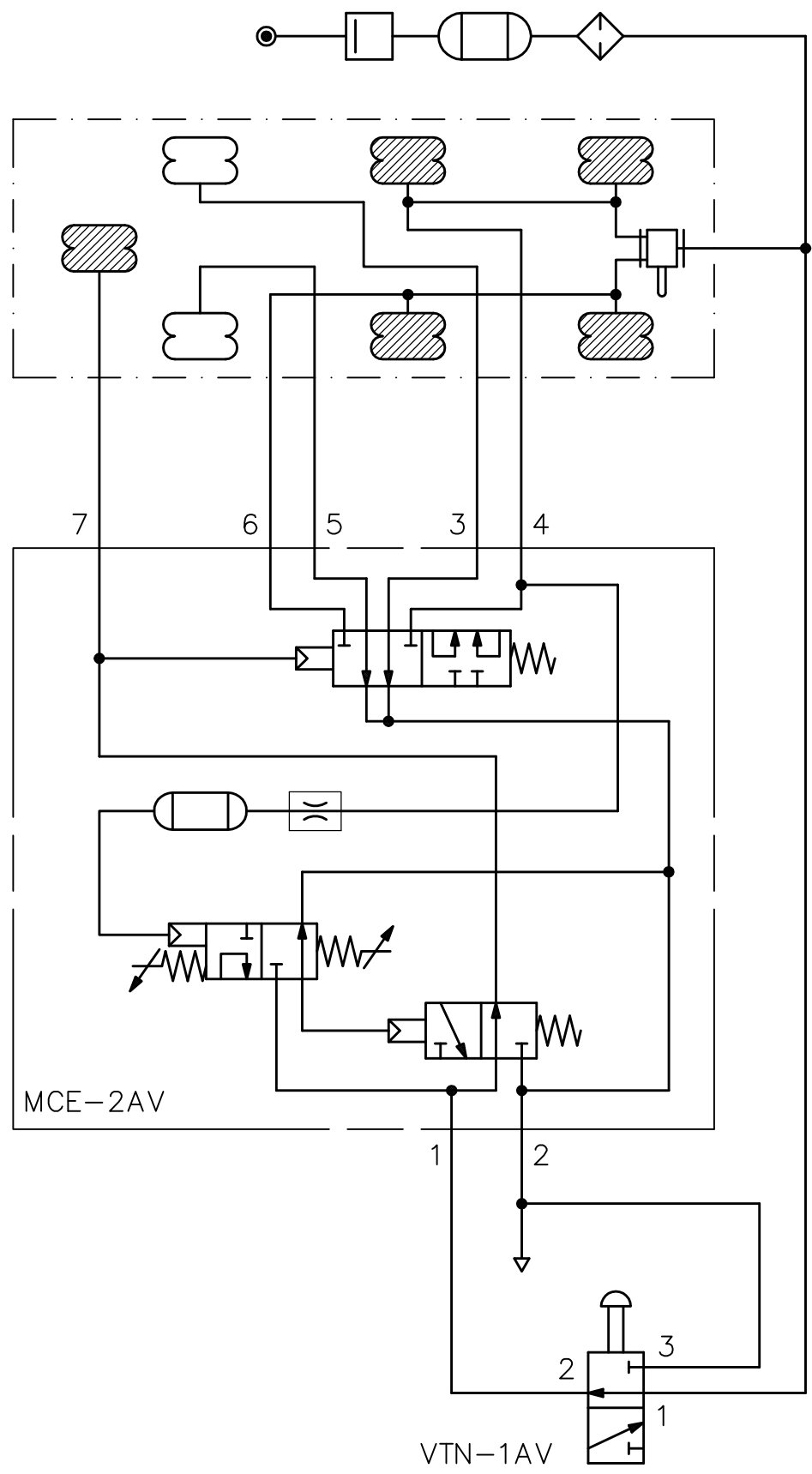
SPECIFICATIONS

- * Full automatic lift axle control valve for double suspension circuit.
- * Automatic Drop and Lifting.
- * Manual Drop by means of an optional 3/2 push-pull valve (Ref.: VTN-1)
- * Fluid to use: Filtered air.
- * Max. working pressure: 14 bar.
- * Temperature range: From -35°C to $+80^{\circ}\text{C}$.
- * Automatic drop pressure range:
 - From 2.5 bar to 5.8 bar.
- * Hysteresis range:
 - From 1.2 bar to 2.6 bar.
 - (Differential between drop and lifting pressures)
- * Standard fittings:
 - Push-in fittings for 8 mm tube.
- * Pneumatic Scheme and Piping: See separate document.
- * Options:
 - Straight fittings for 10 mm tube.
 - Straight fittings for 3/8" tube.
 - Automotive straight fittings for 8 mm tube.
 - Steerable elbow fittings for 8 mm tube.
 - Pressure check tapping.
 - Anti-vacuum connection in main exhaust.

ACCEVAL MCE-2
 PNEUMATICAL SCHEME TYPE I
 (STANDARD)

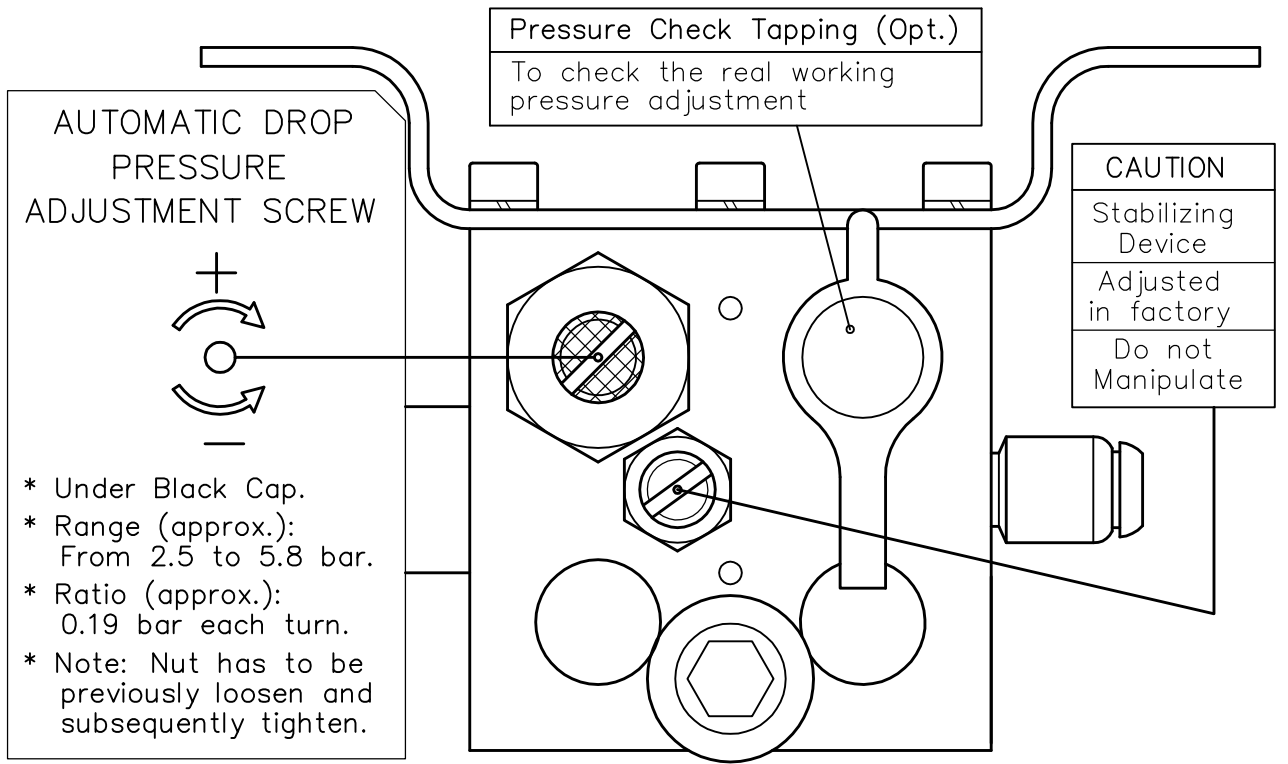


ACCEVAL MCE-2
 PNEUMATICAL SCHEME TYPE II
 (WITH ANTI-VACUUM CONNECTION)

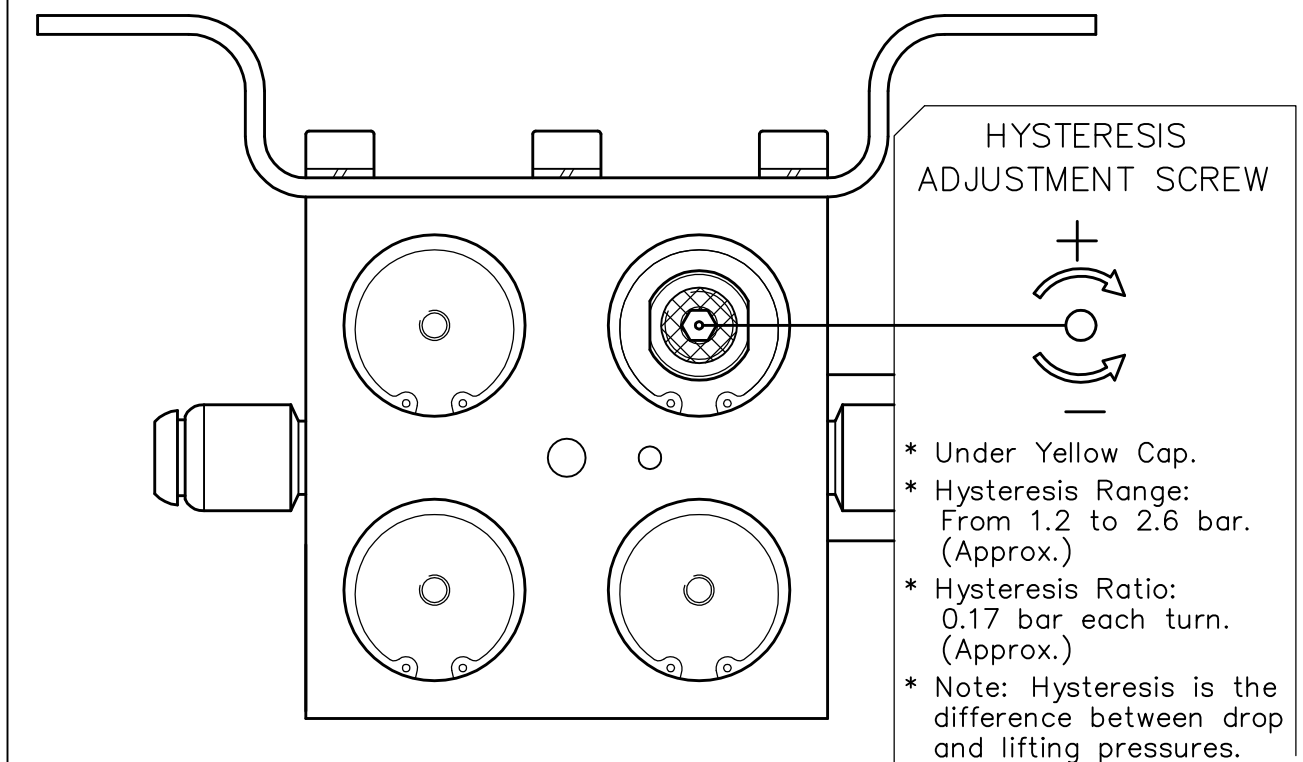


ACCEVAL MCE-2 ADJUSTMENT SCREWS

AUTOMATIC DROP PRESSURE



AUTOMATIC LIFTING PRESSURE (HYSTERESIS ADJ.)



ACCEVAL MCE-2

PRACTICAL SETTING VALUES

Automatic drop and lifting pressures of MCE-2 valves have to be adjusted according to specific characteristics of the used suspension.

Customers can order MCE-2 valves with the exactly settings, according to load/pressure graph of the used suspension, or they can use a reduced group of practical settings to cover all the different cases, in a functional and safe way (Note: Each case has to be previously calculated and validated).

For MCE-2 valves and vehicles with only one lift axle, we can get it with four different setting values, corresponding to the following four order codes:

A. MCE2-3217

3 AXLES VEHICLE / 360 MM SUSP. BELLOWS

- * Automatic Drop Pressure: 3.2 Bar
- * Automatic Lifting Pressure: 1.7 Bar

B. MCE2-4526

3 AXLES VEHICLE / 300 MM SUSP. BELLOWS

- * Automatic Drop Pressure: 4.5 Bar
- * Automatic Lifting Pressure: 2.6 Bar

C. MCE2-3212

2 AXLES VEHICLE / 360 MM SUSP. BELLOWS

- * Automatic Drop Pressure: 3.2 Bar
- * Automatic Lifting Pressure: 1.2 Bar

D. MCE2-4519

2 AXLES VEHICLE / 300 MM SUSP. BELLOWS

- * Automatic Drop Pressure: 4.5 Bar
- * Automatic Lifting Pressure: 1.9 Bar