

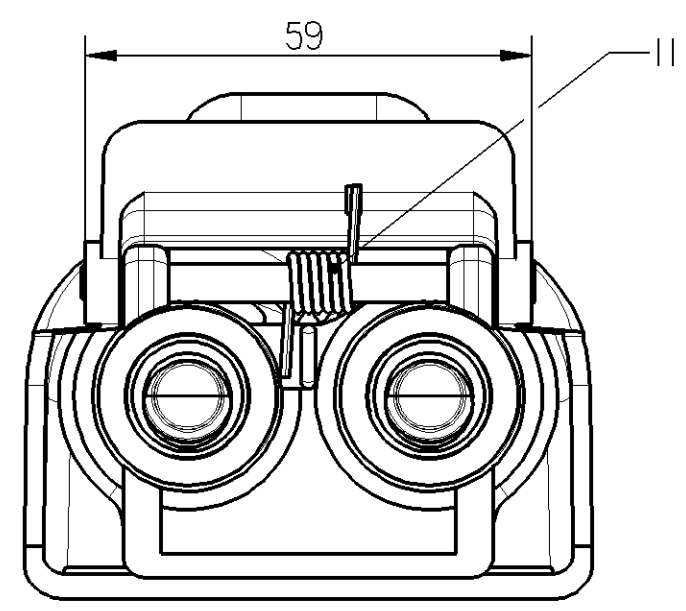
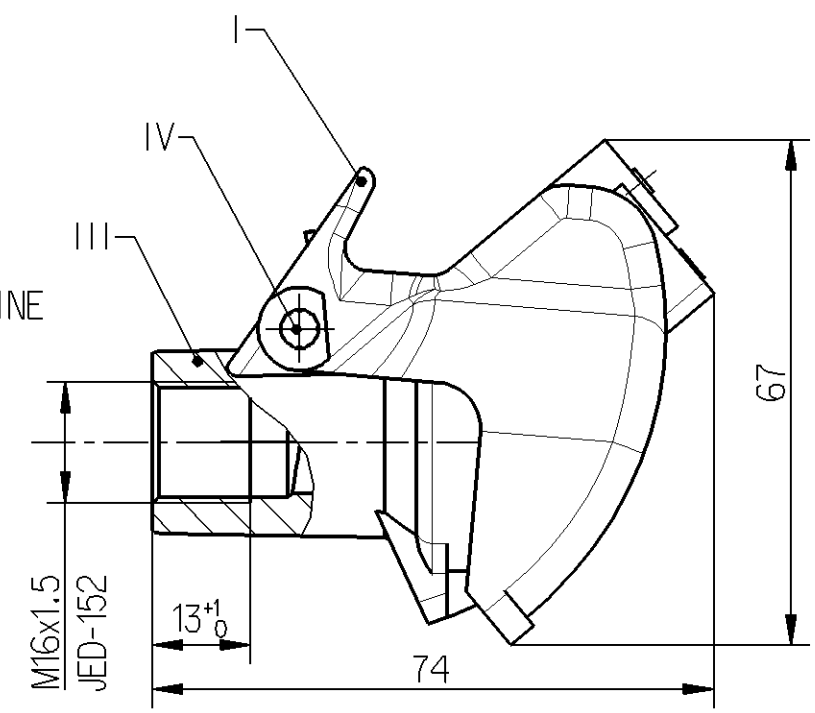
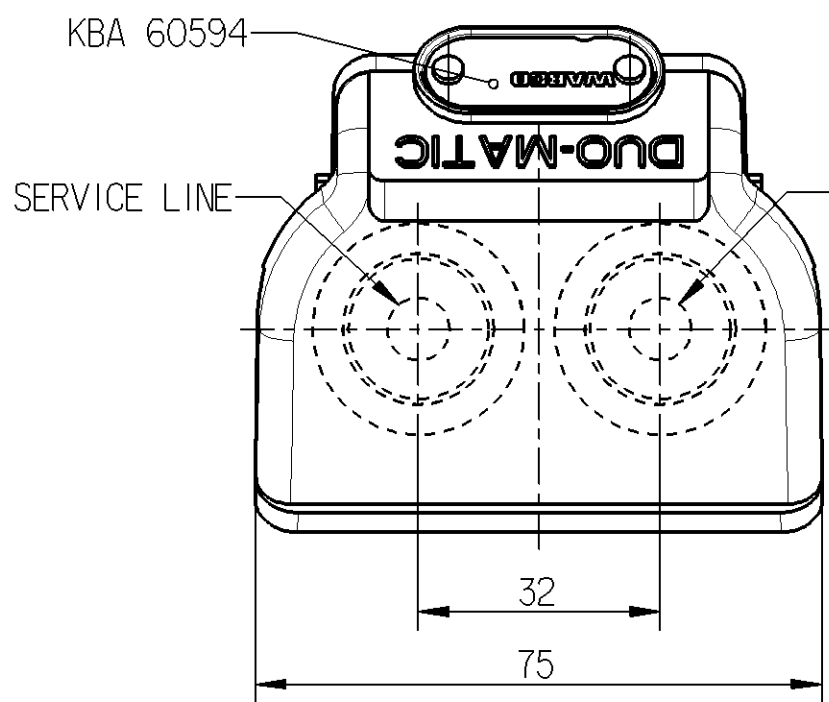
Non e permesso consegnare a terzi o riprodurre questo documento, ne utilizzare il contenuto o renderlo comunque noto a terzi senza autorizzazione esplicita. Ogni infrazione costituisce un evidente abuso e comportera il risarcimento dei danni subiti. E' fatta riserva di tutti i diritti derivanti da brevetti o modelli.

Toute communication ou reproduction de ce document, toute exploitation ou communication de son contenu sont interdites, sauf autorisation expresse. Tout manquement a cette regle constitue un abus evident et expose son auteur au versement de dommages et interets. Tous droits de propriété industrielle reserves, notamment en matiere de brevets et de modèles.

Copying of this document and giving it to others and the use or communication of the contents thereof, are forbidden without express authority. Contravention of this restriction will constitute an evident abuse and result in a liability to the payment of damages. All rights are reserved in the event of the grant of patent or registration of a utility model or design. This document is the subject of copyright.

Weitergabe sowie Vervielfaeltigung dieser Unterlage, Verwertung und Mitteilung ihres Inhalts nicht gestattet, soweit nicht ausdruecklich zugestanden. Zuwiderhandlungen stellen einen offensichtlichlichen Missbrauch dar und verpflichten zu Schadensersatz. Alle Rechte fuer den Fall der Patenterteilung oder Gebrauchsmuster-Eintragung vorbehalten.

MATERIAL AND SURFACE PROTECTION ①		
I	JED-534-2	-
II	JED-020M1	C JED-259
III	JED-591	Zn/C JED-256
IV	JED-050M0	-



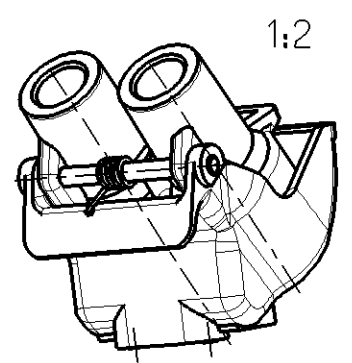
PORT FOR EMERGENCY
 ANSCHLUSS FUER VORRATSLEITUNG 1
 ORIFICE POUR LIGNE D'URGENCE
 ORIFIZIO PER LINEA D'EMERGENZA

PORT FOR SERVICE LINE
 ANSCHLUSS FUER BREMSLEITUNG 4
 ORIFICE POUR SERVICE LIGNE
 ORIFIZIO PER SERVIZIO LINEA

MEDIUM: AIR
 MEDIUM: LUFT
 FLUIDE: AIR
 FLUIDO: ARIA

WORKING PRESSURE:
 BETRIEBSDRUCK: MAX. 10 BAR
 PRESSION DE SERVICE:
 PRESSIONE DI ESERCIZIO:

THERMAL RANGE OF APPLICATION:
 THERMISCHER ANWENDUNGSBEREICH: -40°C. . . +80°C
 GAMME D'UTILISATION THERMIQUE:
 TEMPERATURA DI ESERCIZIO:



General Specification: JED-334-0		Copyright WABCO®		WABCO				
Further Technical Data:		Date	Signature					
Doc. Code:		Drawn		QUICK COUPLING SCHNELLKUPPLUNG RACCORD RAPIDE GIUNZIONE RAPIDA				
Sheet: To		2012-05-14	Balaga					
General Tolerances JED-261		Checked		Date of first issue: 2006-10-18				
Range of Nominal Dimensions (± mm)		Expert						
Class 1)	≤ 50	> 50 ≤ 180	> 180 ≤ 400	> 400	Material No. 452 805 004 0			
Fine	0.5	1.0	1.5	2.0				
Medium X	1.0	2.0	3.0	4.0				
Coarse	2.0	3.5	5.0	6.5	Date of first issue: 2006-10-18			
Tapped Holes acc. JED-152		Mass	Scale	Doc.Code Language Sheet				
1) Tolerance Class Applied Crossmarked		0.217 KG	2:1	005	ML	1/1		
		Size	CAD System	ECN-No.		Revision	Techn. Resp.	Replacement for
		A 3	Pro/E	154765	-	D	5711	

A
B
C
D
E
F
G
H
I
J
K
L
M
N
O
P
Q
R
S
T
U
V
W
X
Y
Z
aa
ab
ac
ad
ae
af
ag
ah
ai
aj
ak
al
am
an
ao
ap
aq
ar
as
at
au
av
aw
ax
ay
az
ba
bb
bc
bd
be
bf
bg
bh
bi
bj
bk
bl
bm
bn
bo
bp
bq
br
bs
bt
bu
bv
bw
bx
by
bz
ca
cb
cc
cd
ce
cf
cg
ch
ci
cj
ck
cl
cm
cn
co
cp
cq
cr
cs
ct
cu
cv
cw
cx
cy
cz
da
db
dc
dd
de
df
dg
dh
di
dj
dk
dl
dm
dn
do
dp
dq
dr
ds
dt
du
dv
dw
dx
dy
dz
ea
eb
ec
ed
ee
ef
eg
eh
ei
ej
ek
el
em
en
eo
ep
eq
er
es
et
eu
ev
ew
ex
ey
ez
fa
fb
fc
fd
fe
ff
fg
fh
fi
fj
fk
fl
fm
fn
fo
fp
fq
fr
fs
ft
fu
fv
fw
fx
fy
fz
ga
gb
gc
gd
ge
gf
gg
gh
gi
gj
gk
gl
gm
gn
go
gp
gq
gr
gs
gt
gu
gv
gw
gx
gy
gz
ha
hb
hc
hd
he
hf
hg
hh
hi
hj
hk
hl
hm
hn
ho
hp
hq
hr
hs
ht
hu
hv
hw
hx
hy
hz
ia
ib
ic
id
ie
if
ig
ih
ii
ij
ik
il
im
in
io
ip
iq
ir
is
it
iu
iv
iw
ix
iy
iz
ja
jb
jc
jd
je
jf
jg
jh
ji
jj
jk
jl
jm
jn
jo
jp
jq
jr
js
jt
ju
jv
jw
jx
jy
jz
ka
kb
kc
kd
ke
kf
kg
kh
ki
kj
kk
kl
km
kn
ko
kp
kq
kr
ks
kt
ku
kv
kw
kx
ky
kz
la
lb
lc
ld
le
lf
lg
lh
li
lj
lk
ll
lm
ln
lo
lp
lq
lr
ls
lt
lu
lv
lw
lx
ly
lz
ma
mb
mc
md
me
mf
mg
mh
mi
mj
mk
ml
mm
mn
mo
mp
mq
mr
ms
mt
mu
mv
mw
mx
my
mz
na
nb
nc
nd
ne
nf
ng
nh
ni
nj
nk
nl
nm
nn
no
np
nq
nr
ns
nt
nu
nv
nw
nx
ny
nz
oa
ob
oc
od
oe
of
og
oh
oi
oj
ok
ol
om
on
oo
op
oq
or
os
ot
ou
ov
ow
ox
oy
oz
pa
pb
pc
pd
pe
pf
pg
ph
pi
pj
pk
pl
pm
pn
po
pp
pq
pr
ps
pt
pu
pv
pw
px
py
pz
qa
qb
qc
qd
qe
qf
qg
qh
qi
qj
qk
ql
qm
qn
qo
qp
qq
qr
qs
qt
qu
qv
qw
qx
qy
qz
ra
rb
rc
rd
re
rf
rg
rh
ri
rj
rk
rl
rm
rn
ro
rp
rq
rr
rs
rt
ru
rv
rw
rx
ry
rz
sa
sb
sc
sd
se
sf
sg
sh
si
sj
sk
sl
sm
sn
so
sp
sq
sr
ss
st
su
sv
sw
sx
sy
sz
ta
tb
tc
td
te
tf
tg
th
ti
tj
tk
tl
tm
tn
to
tp
tq
tr
ts
tt
tu
tv
tw
tx
ty
tz
ua
ub
uc
ud
ue
uf
ug
uh
ui
uj
uk
ul
um
un
uo
up
uq
ur
us
ut
uu
uv
uw
ux
uy
uz
va
vb
vc
vd
ve
vf
vg
vh
vi
vj
vk
vl
vm
vn
vo
vp
vq
vr
vs
vt
vu
vv
vw
vx
vy
vz
wa
wb
wc
wd
we
wf
wg
wh
wi
wj
wk
wl
wm
wn
wo
wp
wq
wr
ws
wt
wu
wv
ww
wx
wy
wz
xa
xb
xc
xd
xe
xf
xg
xh
xi
xj
xk
xl
xm
xn
xo
xp
xq
xr
xs
xt
xu
xv
xw
xx
xy
xz
ya
yb
yc
yd
ye
yf
yg
yh
yi
yj
yk
yl
ym
yn
yo
yp
yq
yr
ys
yt
yu
yv
yw
yx
yy
yz
za
zb
zc
zd
ze
zf
zg
zh
zi
zj
zk
zl
zm
zn
zo
zp
zq
zr
zs
zt
zu
zv
zw
zx
zy
zz