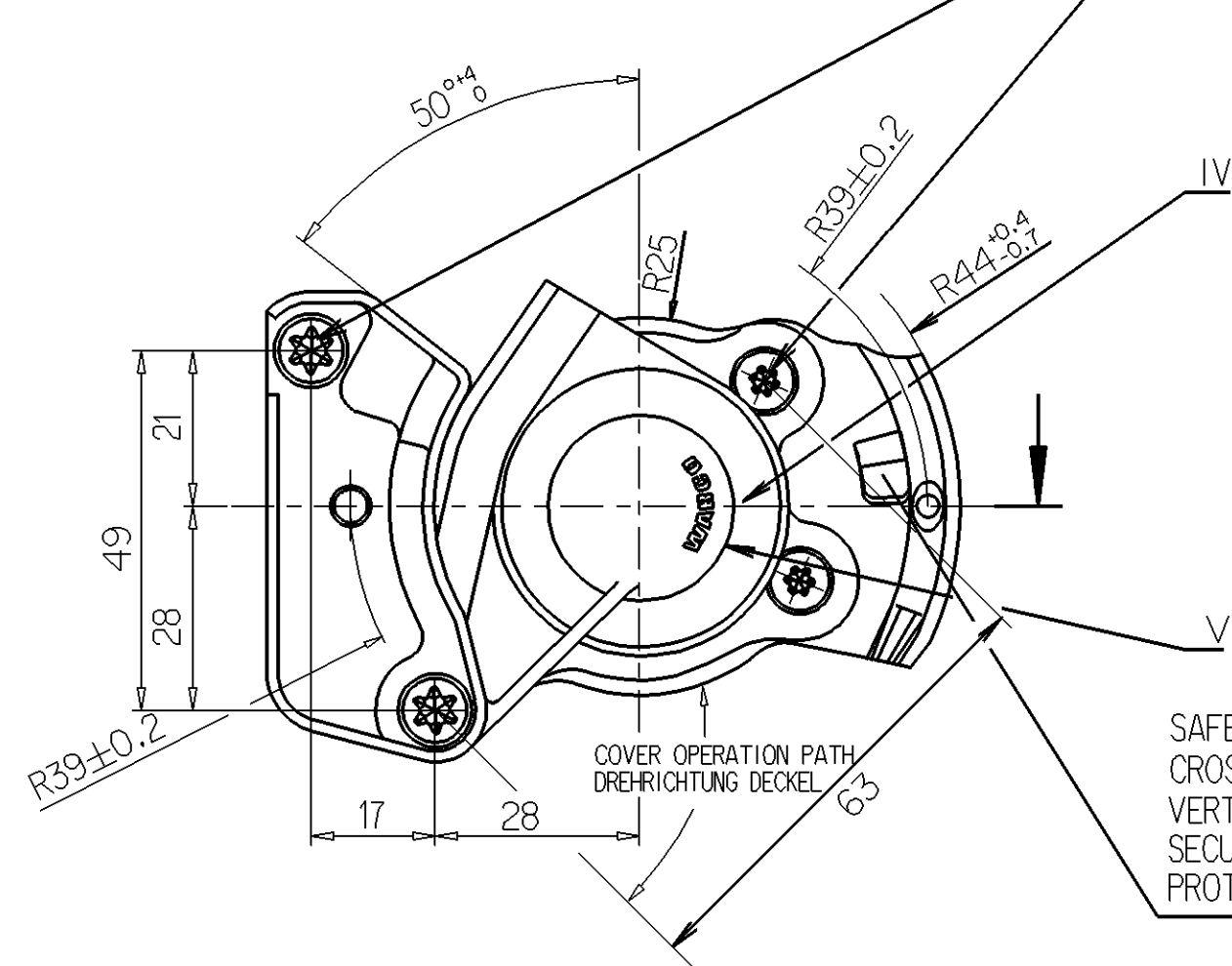
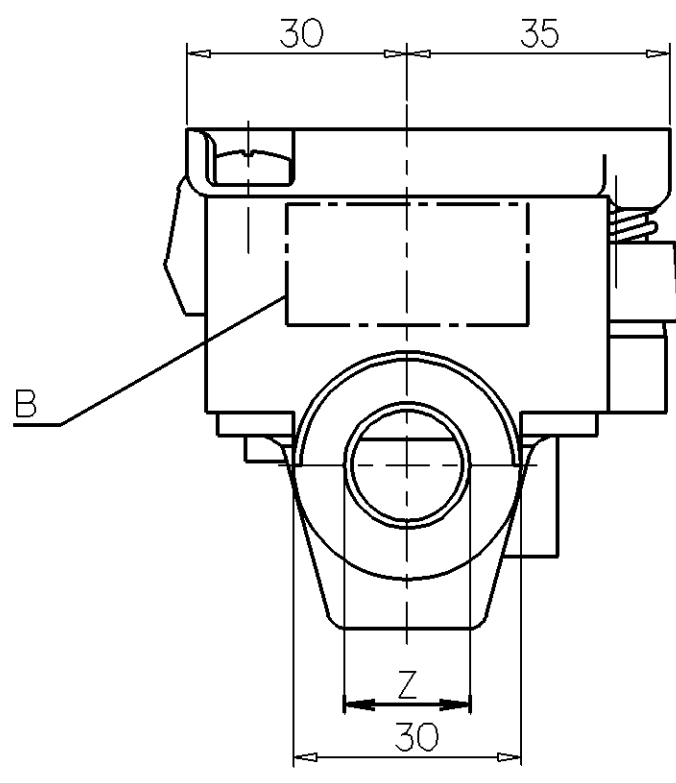
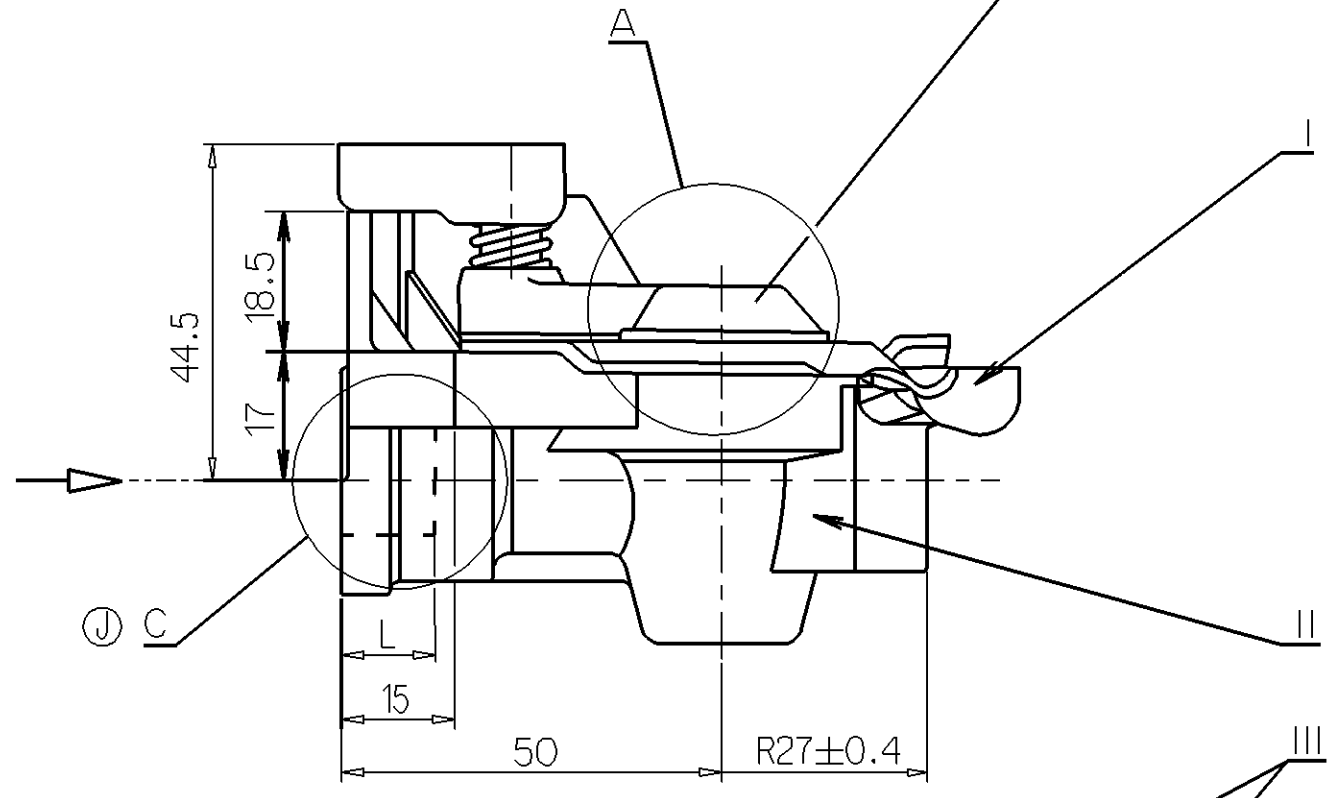
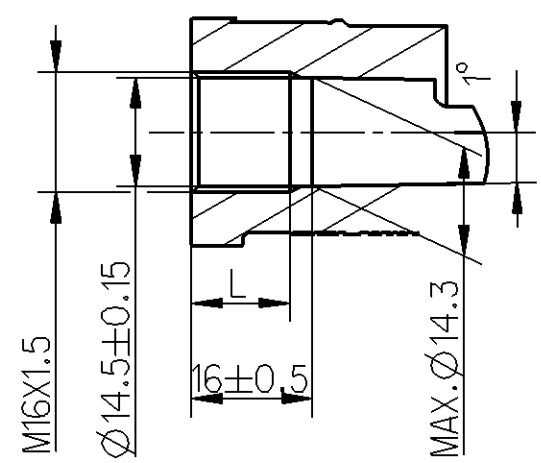


MATERIAL AND SURFACE PROTECTION OF ELEMENT			
I	JED-475-2	JED-257	GUIDE, FUEHRUNG, GUIDE, GUIDA
II	JED-029M1	JED-259	BODY, GEHAEUSE, CORPO, CORPS USINE
III	8.8	JED-257	SCREW, SCHRAUBE, VIS, VITE
IV	POM, PP	-	COVER, DECKEL, COUVERCLE, COPERCHIO
V	JED-440.2	-	THRUST, DRUCKSTUECK, PULSANTE, POUSSOIR
VI	NEOPRANE	-	SEALING, DICHTEN, ETANCHEITE

COVER COLOUR RED
 VERSCHLUSSDECKEL FARBE ROT
 COUVERCLE COULEUR ROUGE
 COPERCHIO COLORE ROSSO



DETAIL C
 ONLY FOR VARIANT 952 200 007 0
 NUR FÜR VARIANTE 952 200 007 0



DETAIL A
 ONLY FOR VARIANT 952 200 902 0
 NEOPRANE PLANE SEALING
 NUR FÜR VARIANTE 952 200 902 0
 MOOSGUMMI FLACHDICHTUNG



DETAIL B
 ONLY FOR VARIANT 952 200 225 0
 CUSTOMER'S INFORMATION
 NUR FÜR VARIANTE 952 200 225 0
 KUNDENSCHILD



SAFEGUARD AGAINST
 CROSS-COUPLING
 VERTAUSCHSICHERUNG
 SECURITEEN CAS DE DEFAUT DE CONNEXION
 PROTEZIONE CONTRO CONNESSIONE INCORRETTA

952 200 007 0	M16x1.5	-	13±1	34	Ⓢ
452 200 211 0	M22x1.5	-	min 15,5	53	
952 200 902 0	M16x1.5	ADDITIONAL SEALING ZUSÄTZLICHE DICHTUNG	min 13	34	
952 200 225 0	M16x1.5	JED-464	min 13	34	
952 200 221 0	M16x1.5	-	min 13	34	
IDENTIFICATION BENENNUNG DENOMINATION DENOMINAZIONE	CUSTOMER NO. KUNDEN-NR. NO. DU CLIENT NO. CLIENTE	Z	REMARKS BEMERKUNGEN REMARQUES NOTE	L	MAX TORQUE [Nm]

USAGE VERWENDUNG UTILISATION APPLICAZIONE	SUPPLY VORRAT ALIMENTATION ALIMENTAZIONE
SYMBOL SYMBOL SYMBOLE SIMBOLO	ISO 1219
WORKING POSITION EINBAULAGE POSITION DE FONCTIONNEMENT POSIZIONE DE FUNZIONAMENTO	UNIMPORTANT BELIEBIG INDIFFERENTE INDIFFERENTE
WORKING MEDIUM ARBEITSMEDIUM FLUIDE D'UTILISATION FLUIDO DI ESERCIZIO	COMPRESSED AIR DRUCKLUFT AIR COMPRIME ARIA COMPRESSA
NORM NORM NORME NORMA	ISO 1728
AMBIENT MEDIUM UMGEBUNGSMEDIUM FLUIDE AMBIANT FLUIDO AMBIENTE	AIR (CONTAINING WATER DUST AND OIL) LUFT (WASSER-, STAUB- UND OELHALTIG) AIR (HUMIDE, HUILEUX, POUSSIEREUX) ARIA (ACQUA, POLVERE ED OLIO INQUINATO)
WORKING TEMPERATURE THERMISCHER ARBEITSBEREICH TEMPERATURE DE FONCTIONNEMENT TEMPERATURA DI UTILIZZAZIONE	-40°+80°C
MAX INLET PRESSURE MAX BETRIEDSDRUCK PRESSION D'ALIMENTATION MAXI PRESSIONE MASSIMA D'ALIMENTAZIONE	10 BAR

General Specification: JED-334-0		Copyright WABCO®		WABCO	
Further Technical Data: see PS 9522000000 doc.035		Date	Signature	HOSE COUPLING KUPPLUNGSKOPF TETE D'ACCOUPEMENT TESTA D'ACCOPIAMENTO	
Doc. Code:	Sheet: To	2013-03-18	Balaga		
General Tolerances JED-261		Checked	Hladik		
Range of Nominal Dimensions (± mm)		Expert		BUCZYLKO	
Class 1)	≤ 50	> 50 ≤ 180	> 180 ≤ 400	> 400	±3°
Fine	0.5	1.0	1.5	2.0	
Medium	X 1.0	2.0	3.0	4.0	
Coarse	2.0	3.5	5.0	6.5	
Tapped Holes acc. JED-152		Mtss	Scale	Material No.	Date of first issue: 06-04-07
1) Tolerance Class Applied Crossmarked		0.22 KG	1:1	952 897 009 0	Doc.Code Language Sheet
		Size	CAD System	053 ML 1/1	
		A 2	Pro/E	ECN-No.	Revision Techn. Resp.
				160951	3 x J 5710
				Replacement for	

Non è permesso copiare o terzi o riprodurre questo documento, né utilizzare il contenuto o renderlo comunque noto a terzi.
 E' fatto riserva di tutti i diritti, espressi o non, e di tutti i brevetti e marchi.
 Copying of this document and giving it to others and the use or communication of the contents thereof, are forbidden without express
 permission of the author. All rights reserved. The author's name and the name of the company are reserved in the event of the grant of patent or registration of a utility model or design. This document is the subject of copyright.

Toute communication ou reproduction de ce document, toute exploitation ou communication de son contenu sont interdites, sauf autorisation expresse.
 Toute réimpression ou utilisation non autorisée sans le consentement de l'auteur ou de ses ayants droit est formellement interdite.
 Weitergabe sowie Vervielfältigung dieses Unterlages, Verwertung und Mitteilung ihres Inhalts nicht gestattet, soweit nicht ausdrücklich zugestimmt.
 Alle Rechte für den Fall der Patentierung oder Gebrauchsmuster-Eintragung vorbehalten.